

ADVANCED HIGH CEILING

# Atria 4 Series - Standard



4-inch aperture high lumen atria with lumen output 1338 – 5650lm. Additional features include optional Glowing Ring and ColorFlip™ tunable white.

**- ColorFlip™ (Please refer to Tunable White Version spec sheet)**

Utilize latest flip chip technology for optimum efficacy, delivering consistent high lumen output with 105LPW at CRI85+ when color tuning from 2700K to 6500K. Compatible to all 0-10V and DMX dimming controls.



Quantity		Type	
Project		Note	

### Electrical System

- 1500lm (15W)
- 2205lm (25W)
- 2690lm (35W)
- 4305lm (45W)
- 5650lm (65W)
- Power Input: Universal (120-277V)
- Operating Temperature: -13°F~104°F
- Surge Protection: 2.5KV
- Remote Emergency Pack: Bodine BSL20LV

### LED Technology

- 2700K, 3000K, 3500K, 4000K
- 85 CRI, 93 CRI
- Beam Angle: 15°, 25°, 35°, 60°, WD (with diffuser)
- Glowing Ring Option
- Rated Life > 60,000 Hours (L70)

### Advanced Dimming

(Proprietary VX Driver is incorporated to all dimming options for video flicker-free lighting)

- DMX: high resolution dims to 0.1% (Supports ANSI E1.20 RDM protocol)
- Standard 0-10V: dims to 10%
- Superior 0-10V: dims to 1%

- **15W/25W/35W/45W only:**
- TRIAC: Line-voltage phase control, dims to 1% (120V only)
- 3-wire: LUTRON Hi Lume 3-wire, dims to 1% (UNV only)
- ECOsystem: LUTRON Hi Lume ECOsystem, dims to 1% (UNV only)

### Housing

- Diameter: 4.8" (122mm)
- Height: 12.6" (320mm)
- Material: Aluminum
- Weight: 8 lbs

### Mounting

- Surface Mount
- Stem 2ft or 4ft; 45° Swivel Canopy Included
- Adjustable Aircraft Cable 10ft
- Wall Mount
- Yoke Mount

### Warranty

- 5 year limited warranty

### Listing

- UL Damp Location Listed
- CE



# Atria 4 Series - Standard





## How To Specify:

**Ordering Example: AS4-45-408-UNV-DMX-25-STD-BLK-SUM**

**4-5 weeks lead time on over 75% of specifications.**

Model	Wattage	CCT / CRI	Voltage	Dimming
<b>AS4</b>			<b>UNV</b>	
<b>AS4</b> Atria 4	<b>15</b> 15W <b>25</b> 25W <b>35</b> 35W <b>45</b> 45W <b>65*</b> 65W	<b>278</b> 2700K / CRI85 <b>308</b> 3000K / CRI85 <b>358</b> 3500K / CRI85 <b>408</b> 4000K / CRI85 <b>279</b> 2700K / CRI93 <b>309</b> 3000K / CRI93 <b>359</b> 3500K / CRI93	<b>UNV</b> 120-277V	<b>SPV</b> Superior 0-10V dims to 1% <b>STV</b> Standard 0-10V dims to 10% <b>DMX</b> DMX dims to 0.1% (XLR Sockets) <b>DMX(RJ45)</b> DMX dims to 0.1% (RJ45 Sockets) <b>TRC<sup>1</sup></b> TRIAC dims to 1% (120V ONLY) <b>ECO<sup>1</sup></b> LUTRON ECOsystem dims to 1%(UNV ONLY) <b>3WIR<sup>1</sup></b> LUTRON 3-wire dims to 1% (UNV ONLY)
*Option is not compatible with <b>TRIAC, ECO and 3-wire.</b>				<sup>1</sup> Option not available for 65W.

Beam Angle	Rim Finish	Finish	Mounting	Accessories
<b>15</b> 15° <b>25</b> 25° <b>35</b> 35° <b>60</b> 60° <b>WD*</b> 100° (with diffuser)	 <p><b>STD</b> Without Ring</p>  <p><b>GLR</b> Glowing Ring</p>	<b>BLK</b> Black <b>WHT</b> White	<b>SUM</b> Surface Mount <b>ST2</b> Stem 2ft <b>ST4</b> Stem 4ft <b>AD10</b> Adjustable Aircraft Cable 10ft <b>WLM*</b> Wall Mount <b>YKM</b> Yoke Mount	<b>DF*</b> Diffuser <b>EMP</b> Remote Emergency Pack
*Please factor in change in lumen output with diffuser (-20% with DF).			*Option is not compatible with <b>DMX.</b>	*Please factor in change in lumen output with diffuser (-20% with DF).

# Atria 4 Series - Standard

## Delivered Lumens\*

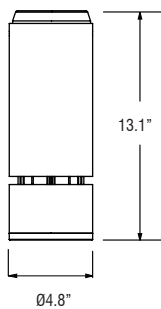
Wattage \ CCT	15W	25W	35W	45W	65W
	Beam Angle: 25°				
4000K	1500 lm	2205 lm	2690 lm	4305 lm	5650 lm
3500K	1460 lm	2180 lm	2620 lm	4210 lm	5590 lm
3000K	1380 lm	2060 lm	2480 lm	3980 lm	5280 lm
2700K	1338 lm	1990 lm	2400 lm	3720 lm	5120 lm

\*Tolerance ± 8%

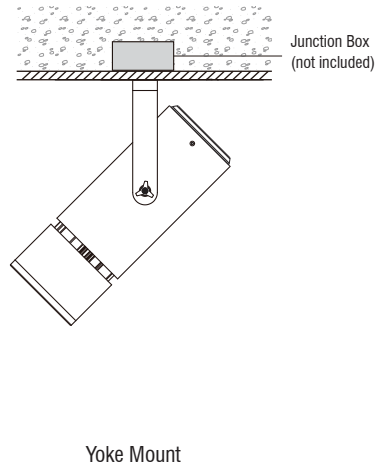
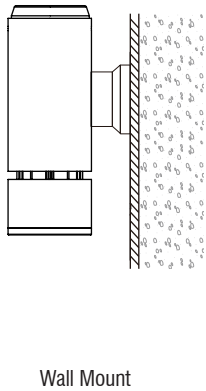
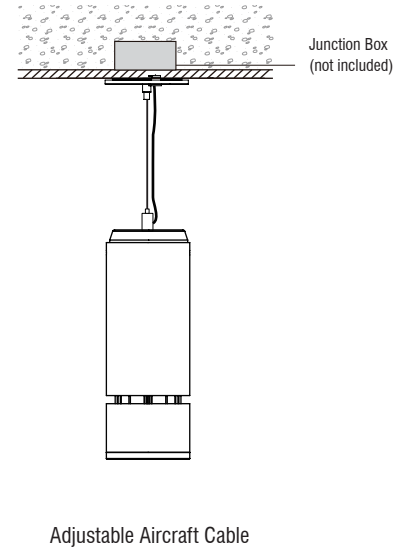
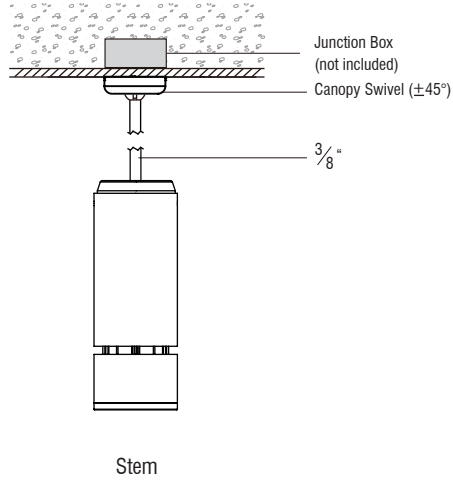
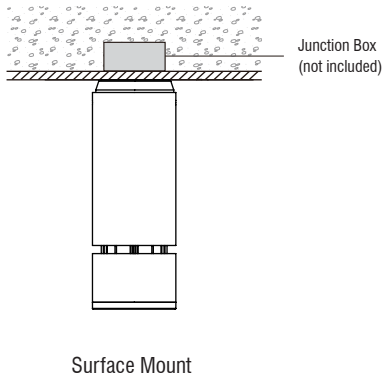
## Current Consumption

Wattage \ Volt	120V	277V
15W	0.17A	0.08A
25W	0.23A	0.11A
35W	0.34A	0.15A
45W	0.45A	0.20A
65W	0.64A	0.29A

## Dimensions



## Mounting Options



# Atria 4 Series - Standard



## DMX Requirements\*

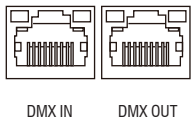
The Atria 4 LED fixture with DMX is a ONE CHANNEL DMX unit.

**When placing order, please indicate DMX address.** (The DMX address will be listed on the back of the fixture.)

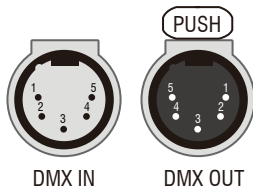
The LED fixture provide RJ45 Socket or XLR socket to connect. (DMX cable NOT included.)

The final fixture should be terminated by the use of DMX Terminator (by others).

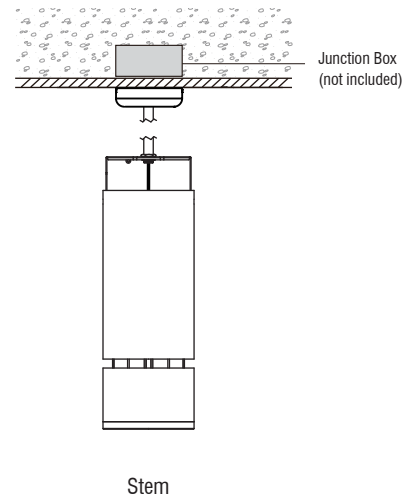
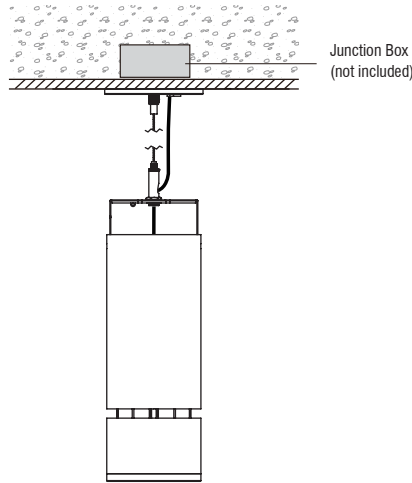
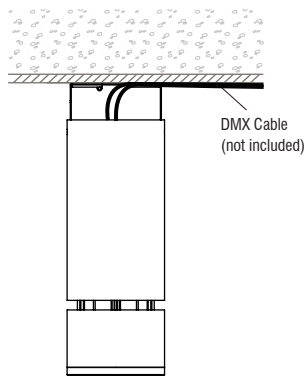
RJ45 Sockets



XLR Sockets



CONNECTION	RJ45 (CAT5e)	5-PIN XLR
Common	WHITE/BROWN(PIN7) & BROWN(PIN 8)	PIN 1
Signal -	ORANGE(PIN 2)	PIN 2
Signal +	WHITE/ORANGE(PIN 1)	PIN 3
Spare	-	PIN 4
Spare	-	PIN 5



## Compatible TRIAC Dimmer List

LUTRON PART NO.

RRD-6NA-	RRT-G5NEW-	RRT-GH	HQRD-10ND-	HQRT-GH	HQRD-HN	PD-10NXD-
RRD-6ND	RRT-G25LW-	HQRD-6NA-	MRF2-6ND-120-	HQRT-G25LW-	GT-250M-	PD-5NE-
RRD-10ND-	RRD-HN	HQRD-6ND-	MRF2S-6ND-120-	HQRT-G5NEW-	GTJ-250M-	

# Atria 4 Series - Standard



## Emergency Pack Lumen Output Table

CCT	2700K	3000K	4000K	5000K
Lumen	1640 lm	1760 lm	1890 lm	1950 lm

## Remote Emergency Pack

